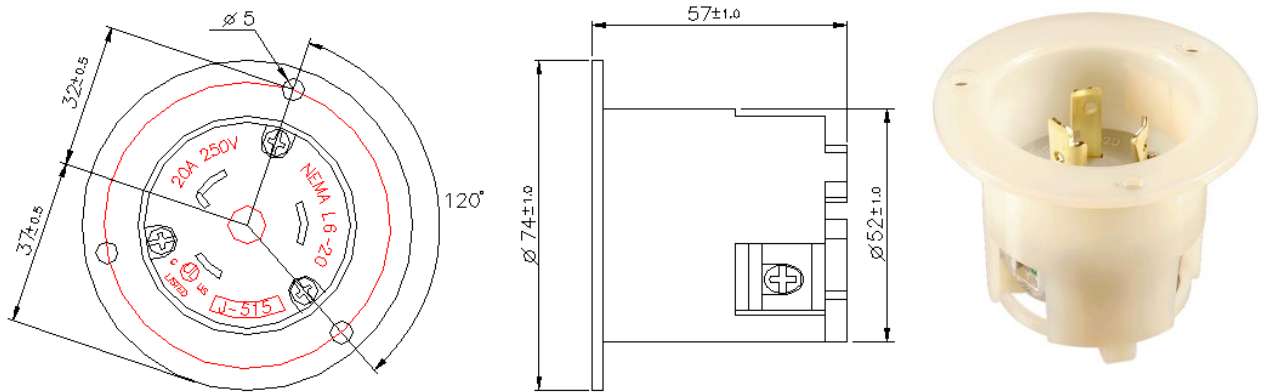


J-515



Product Specifications

Product Item	Flanged Inlet
Electrical Rating	2 Pole, 3 Wire Grounding 20A 250V AC
Configuration	NEMA L6-20
Housing Material	Natural Nylon
Blade Holder Material	Polycarbonate - Gray
Terminal Retainer Material	Clear Polycarbonate
Blade Material	Brass
Terminal Screw Material	#8-32 solid brass
Ground Screw Material	#8-32 solid brass (Green)
Flammability	UL 94 V-0
Operating Temperatures	Maximum Continuous 65 °C, Minimum -20 °C (w/o impact)
Standards and Certifications	UL/cUL Listed to UL498 File E237606
RoHS Compliant	Yes